

StrongBOLT™

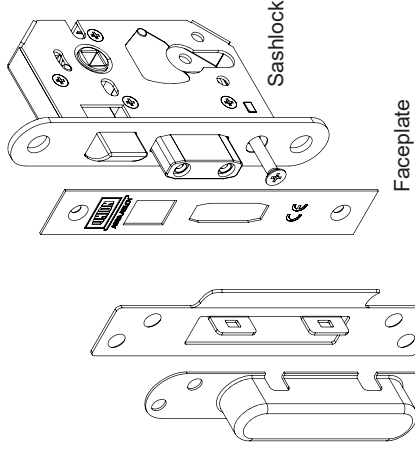
Fitting instructions
Cylinder Sashlock



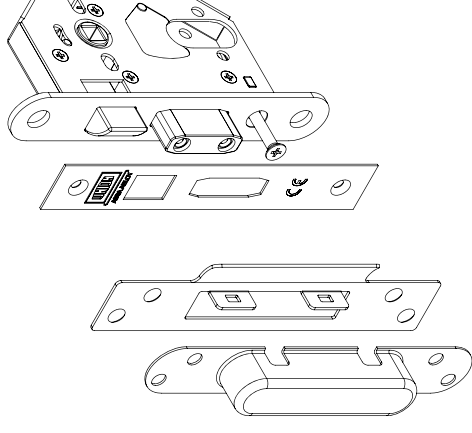
ASSA ABLOY

General View of Main Parts

Euro Profile Sashlock



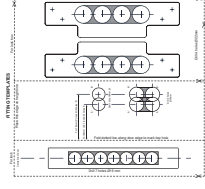
Oval Profile Sashlock



Tools Required

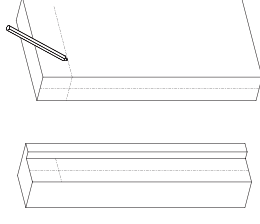
- Scissors
- Pencil
- Masking Tape
- Bradawl
- Cross Head Screwdriver
- 19mm Chisel
- Mallet
- Ø16, 18 & 22mm Drill

1a



Cut out templates

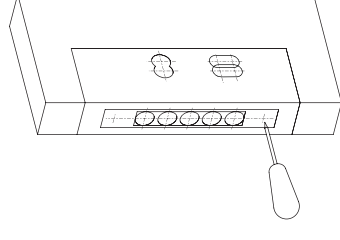
1b



Mark centreline of door and frame.

At required height mark a horizontal line on door and frame.

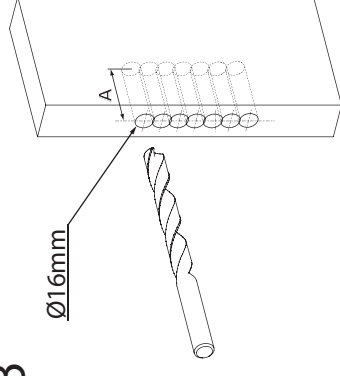
2



Using the centreline guide and height guide, tape templates to door.

Mark the centres of all required holes with a bradawl then remove template.

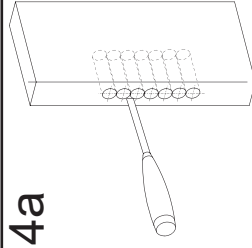
3



Ø16mm

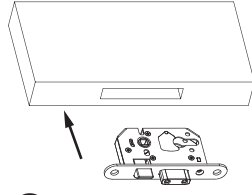
Dim 'A'	72mm
2.5" / 68mm Lock	85mm
3" / 81mm Lock	

4a

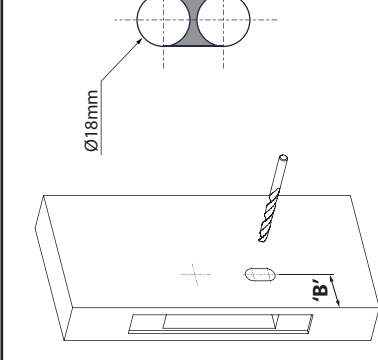


Chisel out remaining timber between drill holes.

4b



6



Ø18mm

Dim 'B'	45mm
2.5" / 68mm Lock	57.5mm
3" / 81mm Lock	

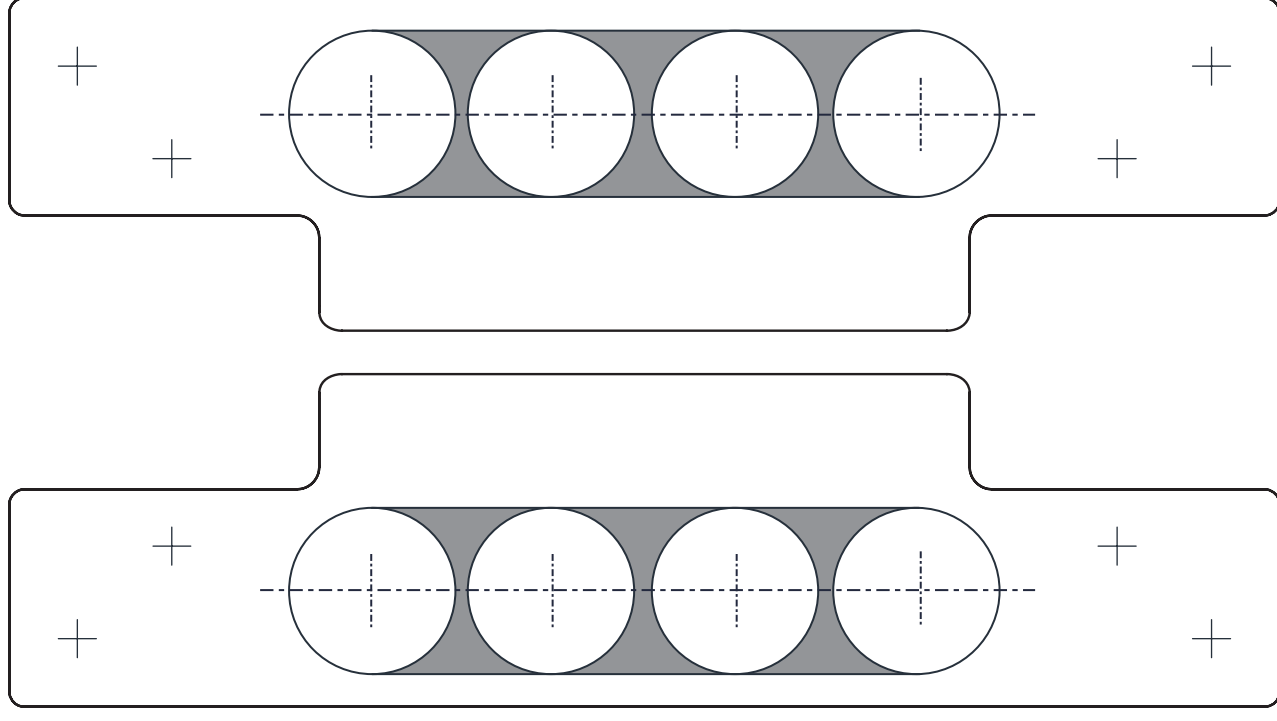
Euro / Oval FITTING TEMPLATES

For lock box

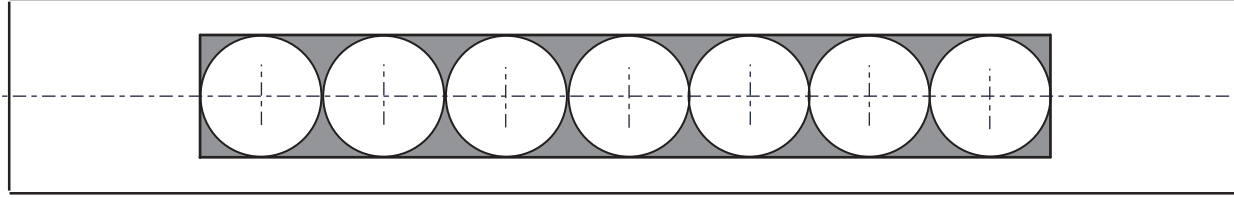
Place this edge on height line

For lock

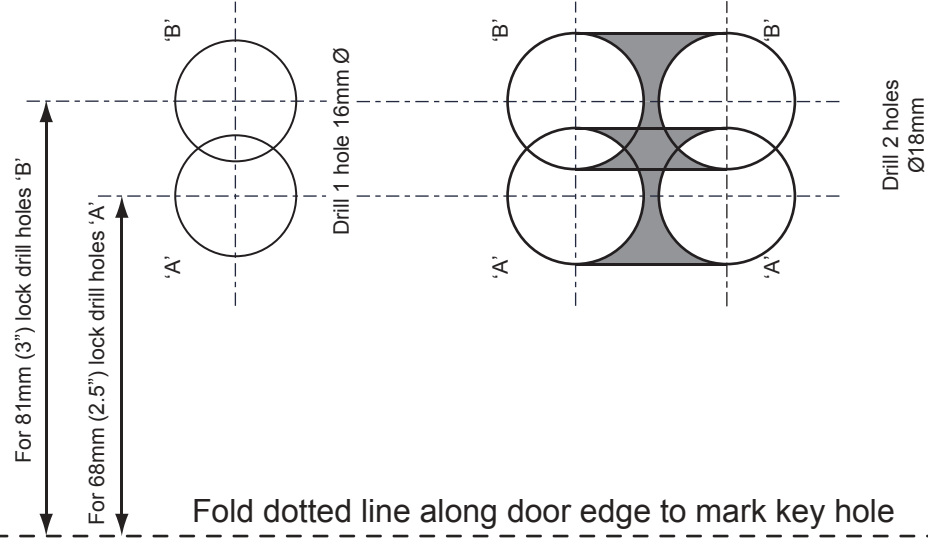
Centreline of door



Drill 4 holes Ø22mm



Drill 7 holes Ø16 mm



7a Chisel out remaining timber between holes.

7b Ø16mm

8 Secure template to frame with tape. Using a bradawl mark all centres (+). Then remove template.

9 Ø22. 25mm

10a Chisel out remaining timber between drill holes.

10b 2.5 mm

11a

11b

12

13a Reverse latch if necessary. ✓ Go to 16

13b ✗ Go to 14

14

15

16

17

NOTE! HANDLE SET & CYLINDER NOT SUPPLIED