

# StrongBOLT™

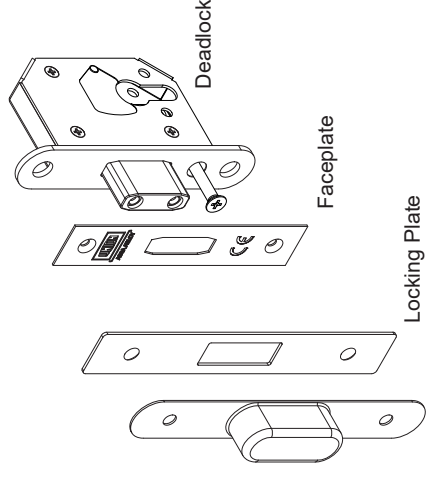
## Fitting instructions Cylinder Deadlock



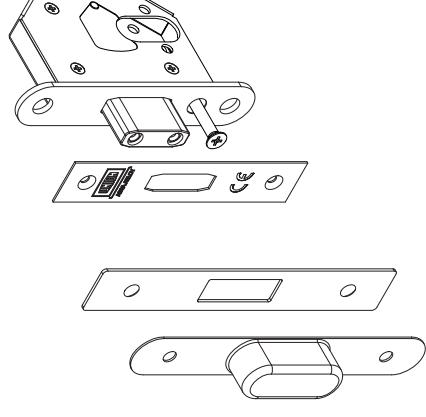
ASSA ABLOY

### General View of Main Parts

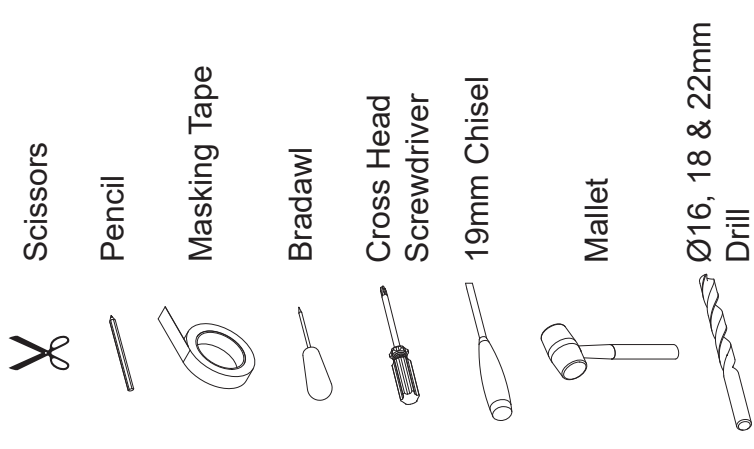
Euro Profile Deadlock



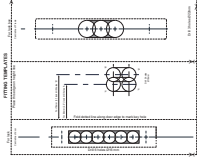
Oval Profile Deadlock



### Tools Required

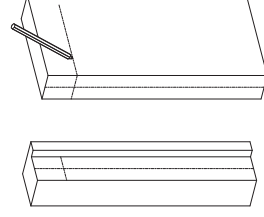


### 1a



Cut out templates

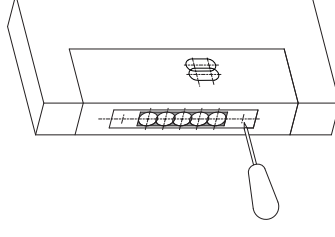
### 1b



Mark centreline of door and frame.

At required height mark a horizontal line on door and frame.

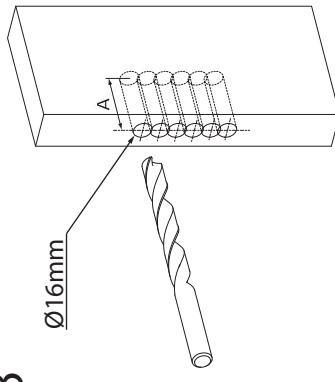
### 2



Using the centreline guide and height guide, tape templates to door.

Mark the centres of all holes with a bradawl then remove template.

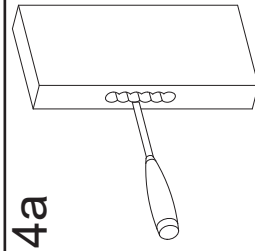
### 3



Ø16mm

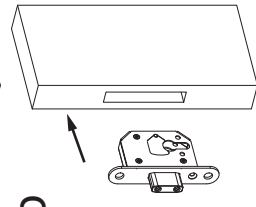
Dim 'A'	
2.5" / 68mm Lock	72mm
3" / 81mm Lock	85mm

### 4a

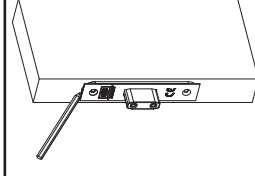


Chisel out remaining timber between drill holes.

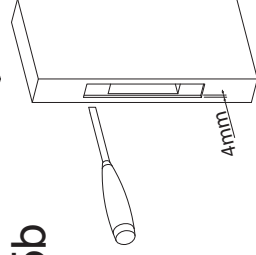
### 4b



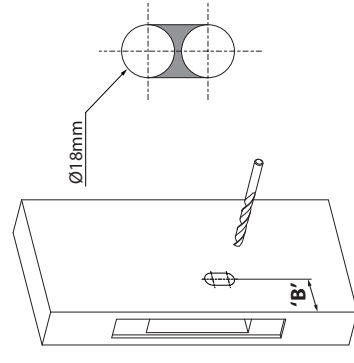
### 5a



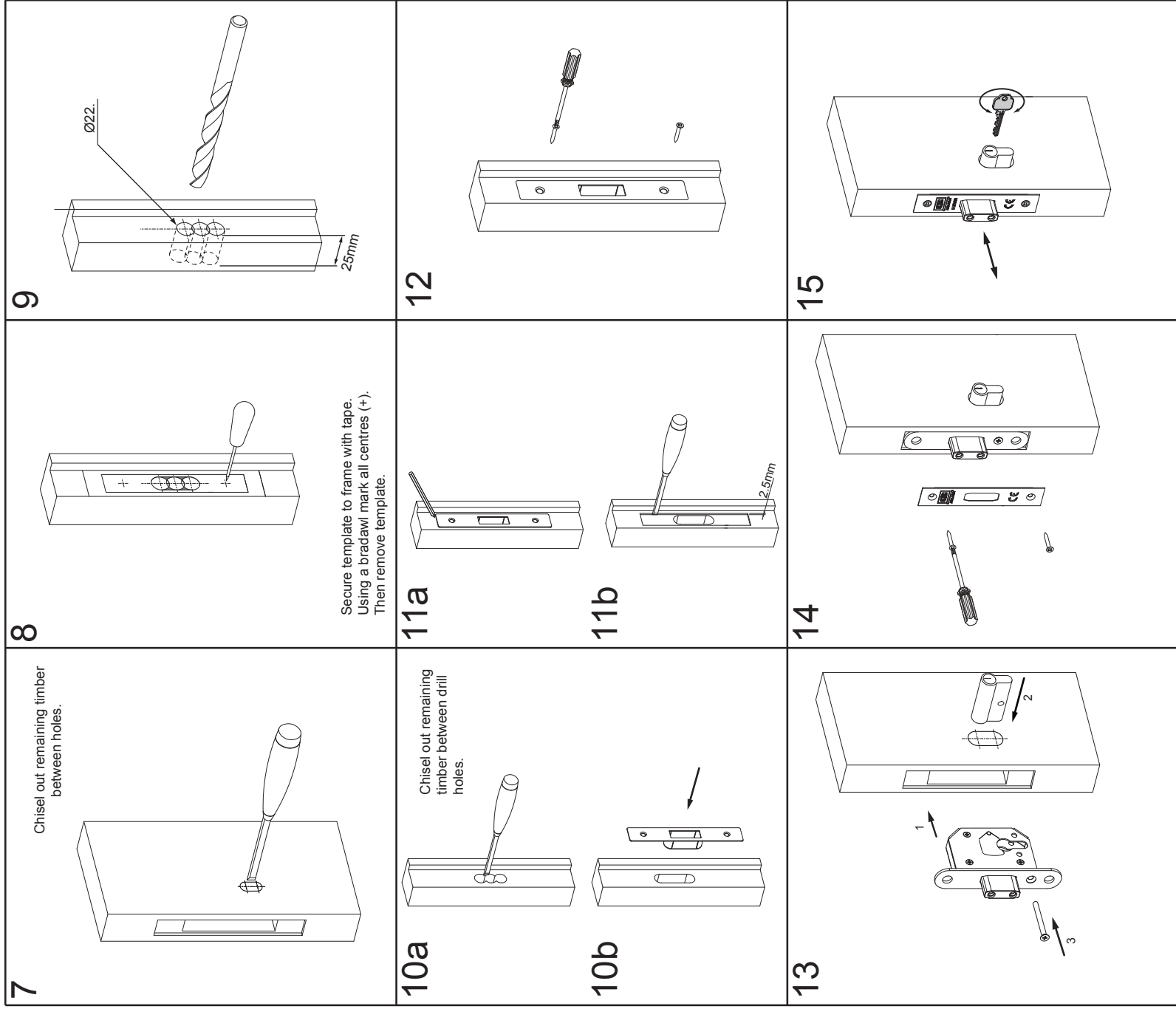
### 5b



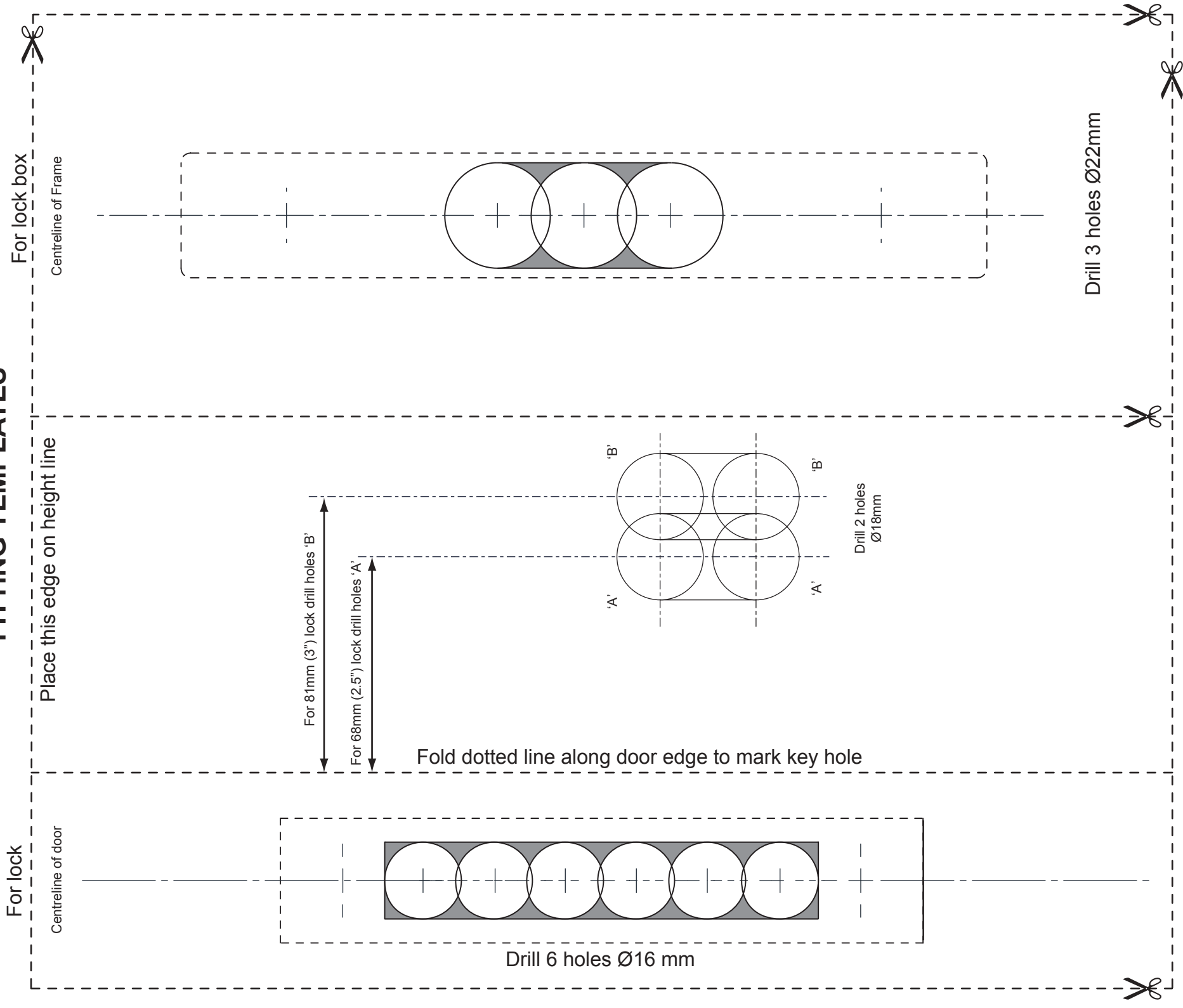
### 6



Dim 'B'	
2.5" / 68mm Lock	45mm
3" / 81mm Lock	57.5mm



# FITTING TEMPLATES



0845 223 2124



uniononline.co.uk

ASSA ABLOY Opening Solutions UK and Ireland,  
School Street, Willenhall, West Midlands WV13 3PW, UK