

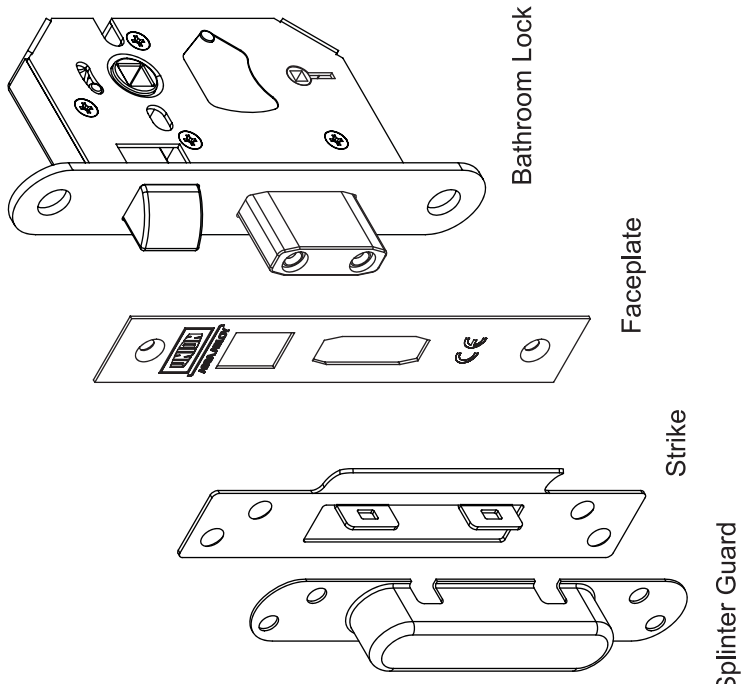
StrongBOLT™

Fitting instruction
Bathroom Lock

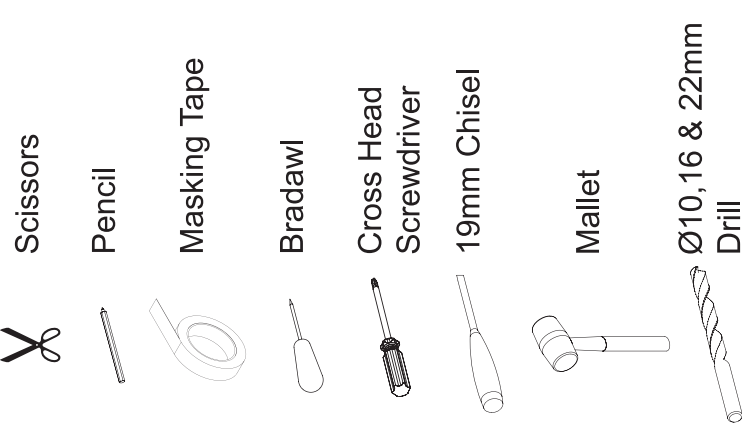


ASSA ABLOY

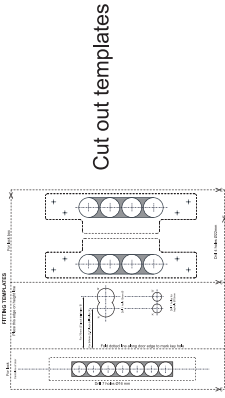
General View of Main Parts



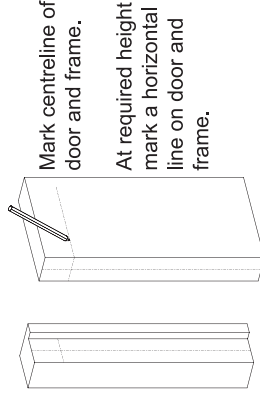
Tools Required



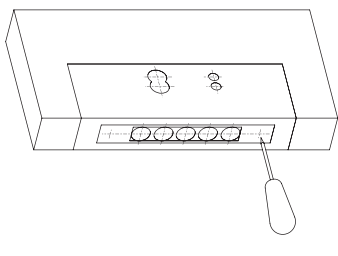
1a



1b



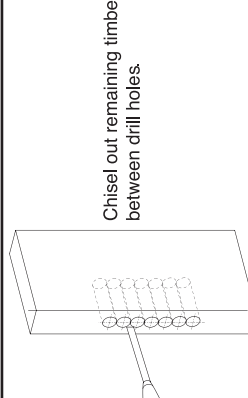
2



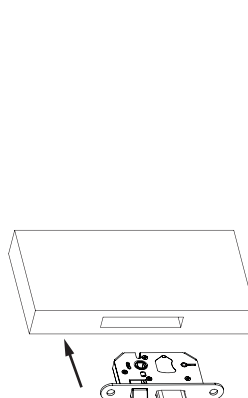
Using the centreline guide and height guide, tape templates to door.

Mark the centres of all holes with a bradawl then remove template.

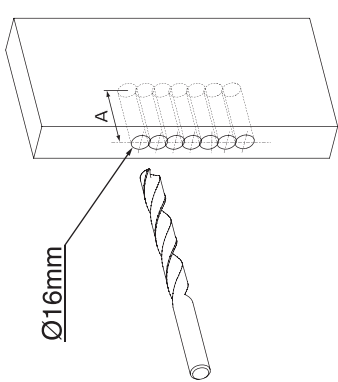
4a



4b

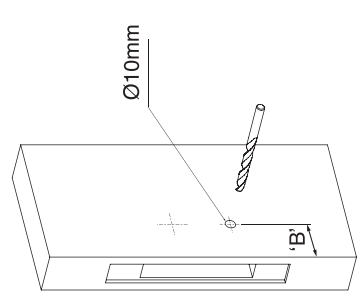


3



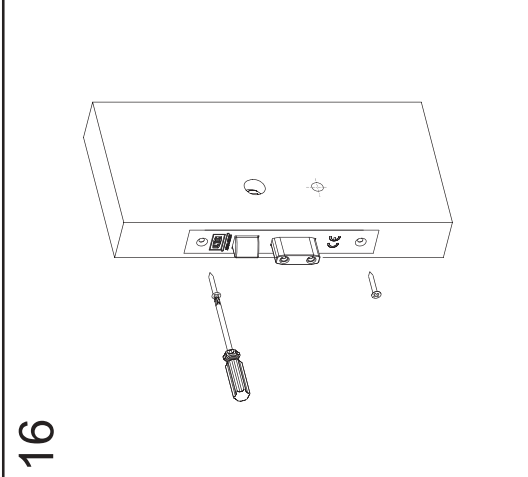
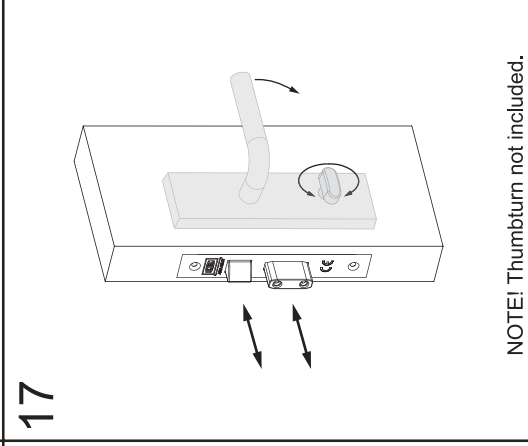
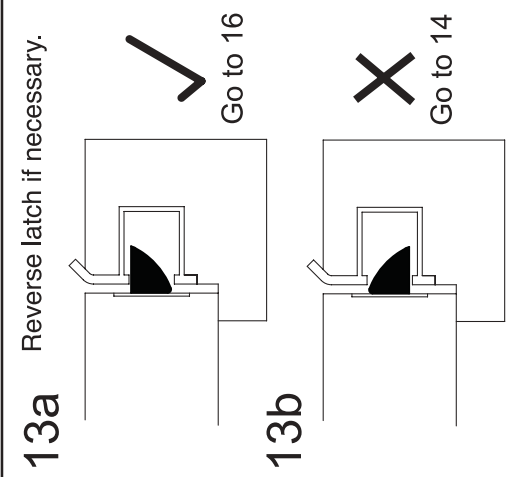
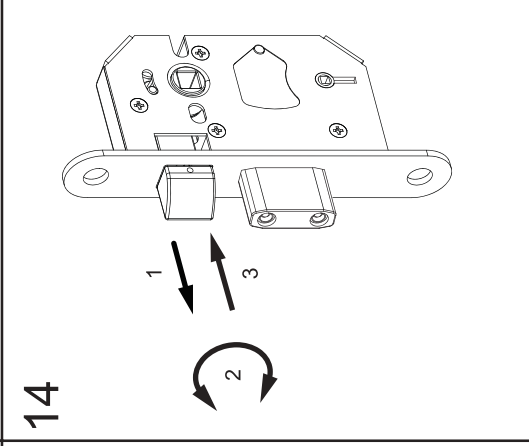
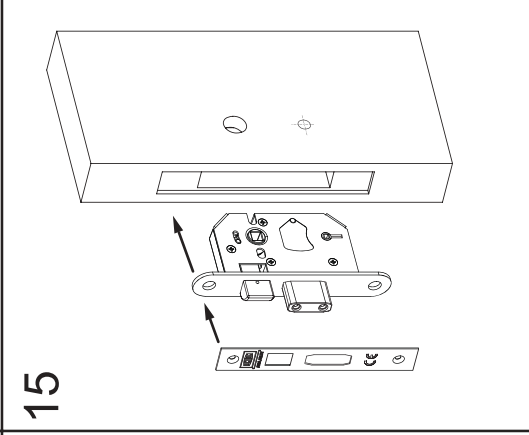
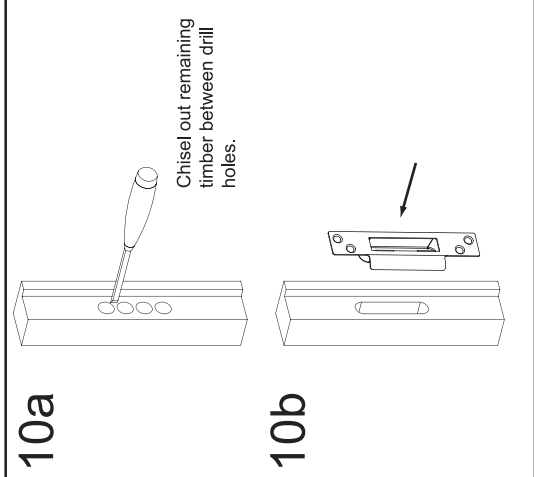
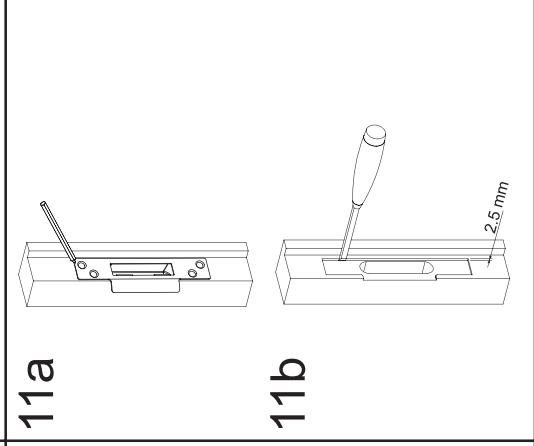
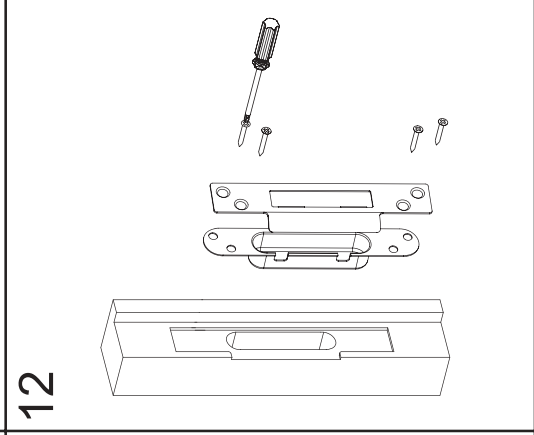
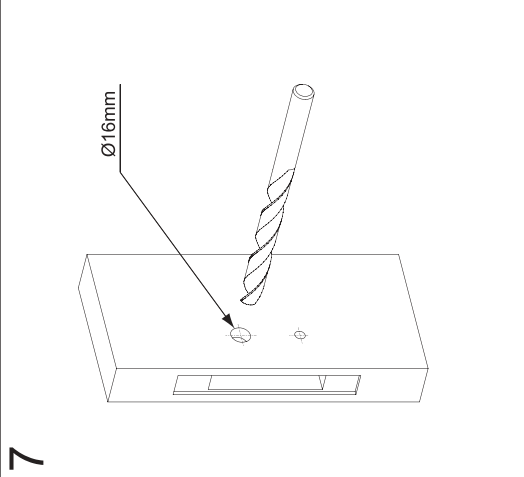
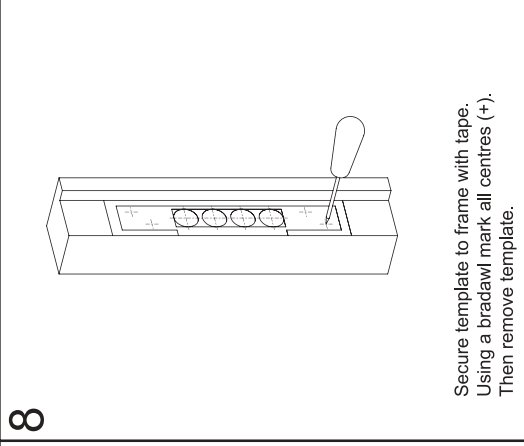
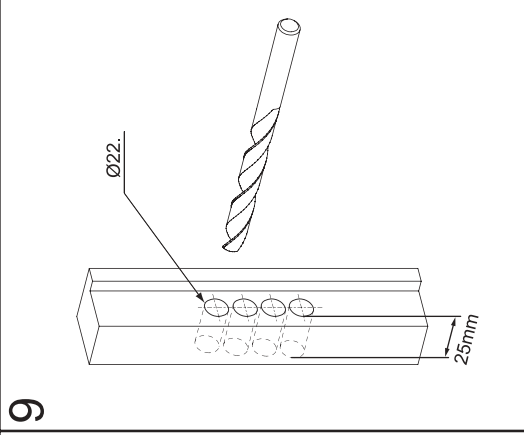
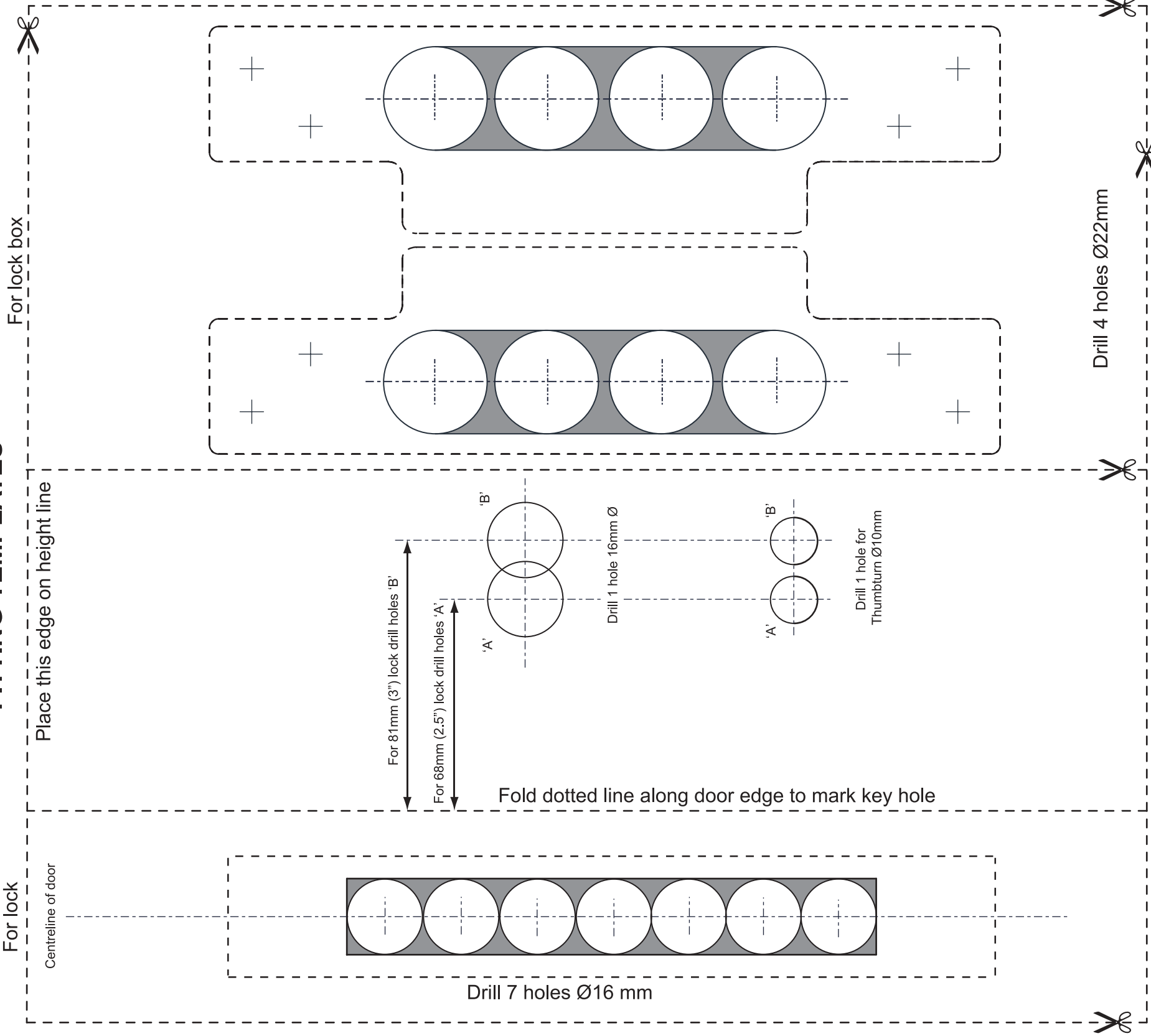
Dim 'A'	72mm
2.5"/68mm Lock	85mm
3"/81mm Lock	

6



Dim 'B'	45mm
2.5"/68mm Lock	57.5mm
3"/81mm Lock	

FITTING TEMPLATES



NOTE! Thumbturn not included.