

SmartLatch, SmartBolt and SmartPrivacy instructions for non-fire doors



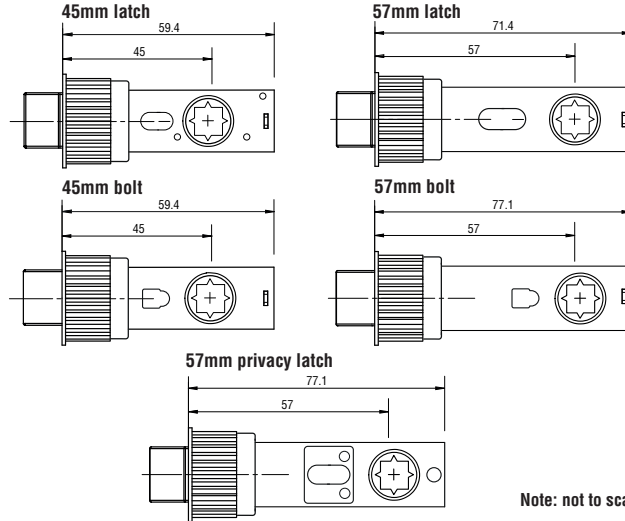
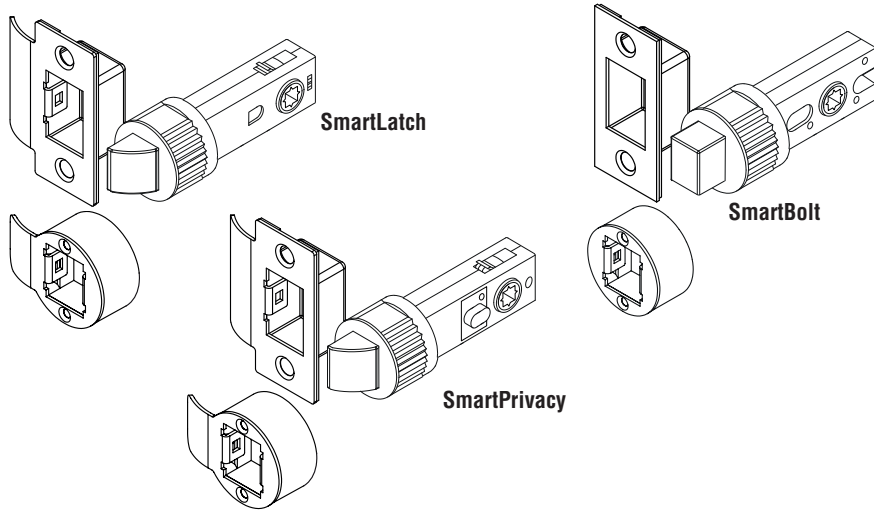
ASSA ABLOY

JIGTECH™

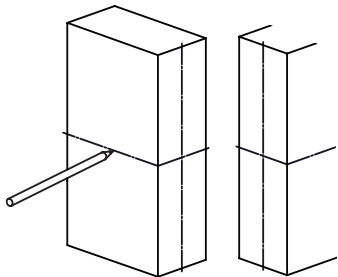
For non-fire doors

0845 223 2124

uniononline.co.uk



1

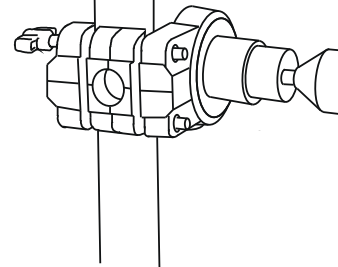


- Measure the desired height of the latch/bolt and draw a horizontal line on the door edge using a set square.
- Remove the red insert from the jig and select the backset of the latch/bolt (45mm or 57mm).
- Line the JIGTECH jig up with the horizontal line you made earlier and fasten the jig onto the door using the thumbturn. Ensure the jig is touch tight. **DO NOT** over tighten the jig.
- The latch/bolt should not be installed higher than 1100mm from the centre of the lock to the finished level of the surrounding floor.

Don't forget to remove the red insert from the jig (25mm)



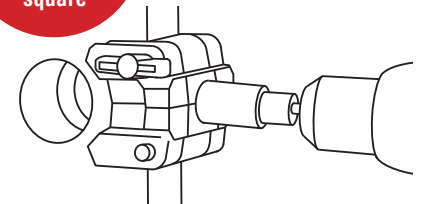
2



- Using the 44mm arbor and holesaw, drill through the face of the door from the guide side until the drill tip exits the timber on the opposing side. Switch sides and use the exit point as the guide to continue drilling (by applying low pressure) and remove the core. **DO NOT** place too much pressure on the drill.

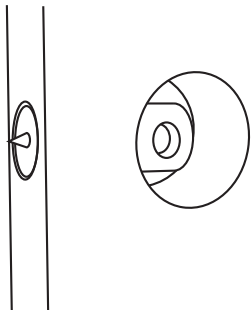
3

Ensure all holes are drilled straight and square



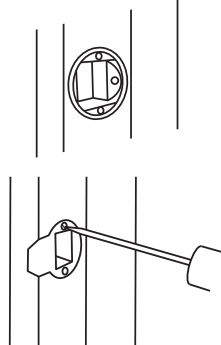
- Using the 25mm arbor and holesaw, drill the latch/bolt hole through the centre of the door edge and remove the core and any debris.
- Remove the jig and any sawdust from the door.

4



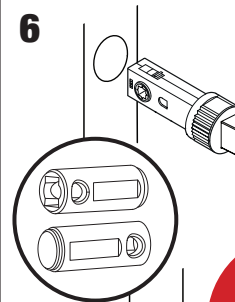
- Place the keep locator (JTA5103) inside the 25mm hole with the stainless steel tip facing the frame. Close the door shut and using a screwdriver, push the keep locator into the frame to create a centre mark.
- Using the mark made by the keep locator, position the 32mm spade bit (JTA5003) and drill a 17mm deep hole.

5



- Insert the metal dust box into the 32mm hole, ensuring the diagonal pre-drilled holes are horizontal. Using the fixing screws provided, secure the dust box to the frame.
- Position the strike plate over the vertical screw holes and mark where the lip needs to be cut out of the frame to ensure they are flush and remove the excess wood.
- Fit the strike plate using the remaining screws provided.

6



Important! Do not hammer the latch into position

- Insert the JIGTECH plastic spacer that is supplied with the latch/bolt into the 44mm hole on the face of the door with the Jigtech logo at the top.
- **Ensure the latch is facing the correct direction.**
- Ensure the SmartPrivacy latch threaded button is on the internal side of the door.
 - Insert the latch/bolt into the 25mm hole on the door edge, using a latch tapper (included in the Jigtech PRO kit (JTP6000) or bought separately (JTA5103) - place around the latch/bolt

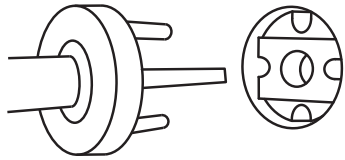
and tap in until secure, taking care to avoid hitting the latch/bolt.

- If the latch feels too tight, enlarge the hole by reinserting the 25mm holesaw and move in and out to remove a small amount of wood. Alternatively, a light rub with sandpaper on the inside edge will allow the latch/bolt to sit more flush within the door.
- **PLEASE NOTE: There is a risk of the door splitting if the hole drilled for the latch/bolt is too small.**

Continued overleaf

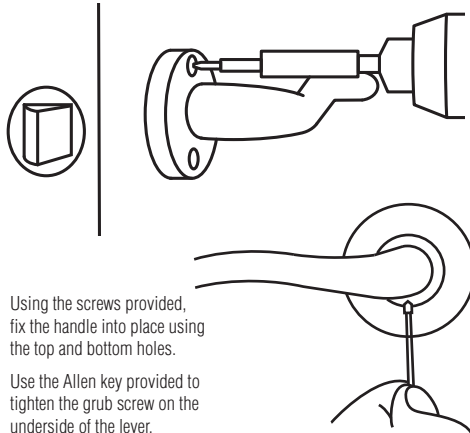
Handles fitting instruction - latch only

1



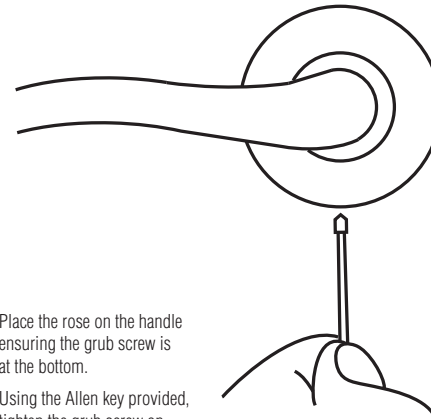
- Insert the handle with the spindle into the latch follower until the lever is flush with the door face.
- Ensure the other handle is secure within the door face. (This may require some light pressure and adjusting of the handles).

2



- Using the screws provided, fix the handle into place using the top and bottom holes.
- Use the Allen key provided to tighten the grub screw on the underside of the lever.

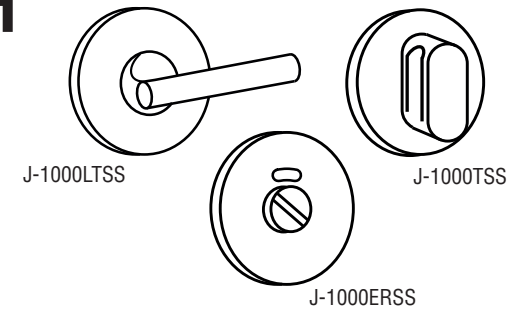
3



- Place the rose on the handle ensuring the grub screw is at the bottom.
- Using the Allen key provided, tighten the grub screw on the rose.

Bolt only

1



SmartBolt can only be used with:

Internal

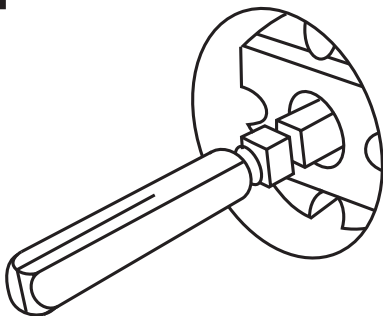
- J-1000LTSS (large turn bar)
- J-1000TSS (standard thumbturn)

External

- J-1000ERSS (emergency release)

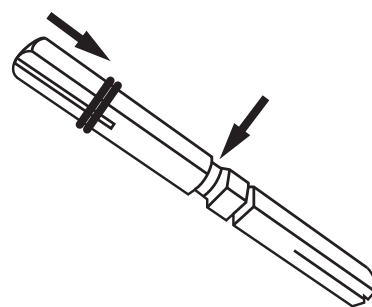
Handles fitting instruction - privacy only

1



Take the privacy spindle and ensure both fixing grooves are facing down. From the internal side of the door, slide the spindle through the follower. The spindle should then protrude by equal amounts on either side of the door.

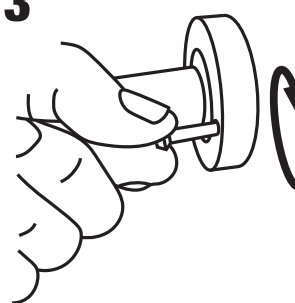
2



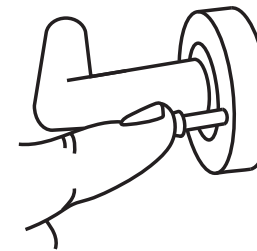
On the opposite side of the door, which the spindle entered, slide on one 'O' ring until it sits in the groove.

Remove the standard cover roses from both levers. Then remove and discard the fixed spindle from the lever. Align this lever with the spindle already fitted in the latch and slide the sleeves through the spacer.

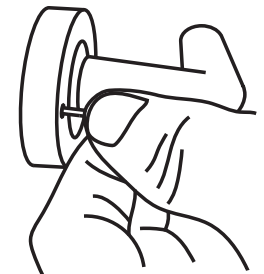
3



Position the privacy cover roses on each handle. Secure with the grub screws from the passage roses. Insert the privacy button on the internal side of the door and screw tight. Test the push button function and the emergency release mechanism.



Push button privacy has been designed to create an easy fit solution to domestic privacy/bathroom applications. The bathroom door can be locked from the inside by pressing the button. Egress is then achieved by pressing the lever down from the inside, which immediately withdraws the latchbolt and opens the door.



For the outside, the handle is locked when the button is pressed.

If emergency access is required, the mechanism can be released by placing an Allen key or a similar long thin object into the small hole in the external rose, and pressing the latch pin in.