


Classic BS 5-Lever 2234E Thief Resistant Mortice Sashlock fitting instructions

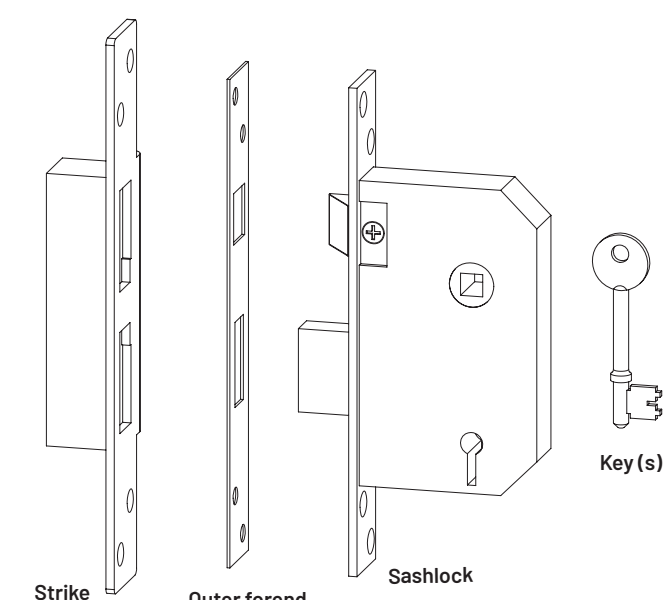






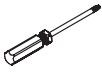
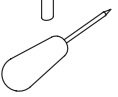

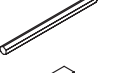


Secured by Design
SBD
Police Preferred Specification

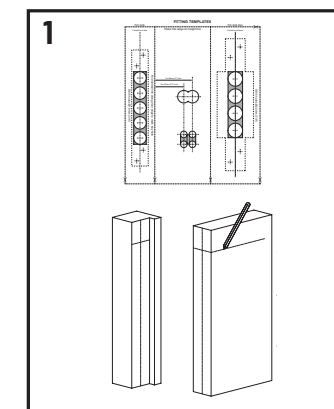
BS 3621:2007

General view of main components

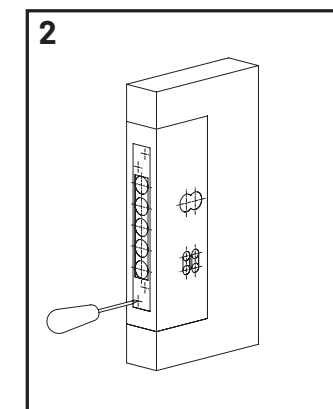


Tools required

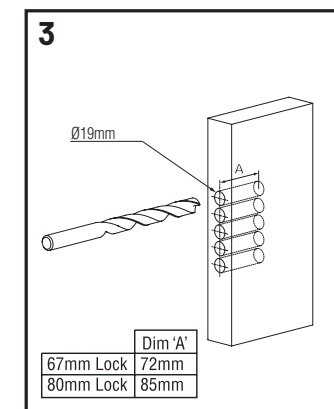
	10, 19 and 22mm diameter drill bit		Mallet
	Cross head screwdriver		Bradawl
	Scissors		Pencil
	19mm chisel		Masking tape



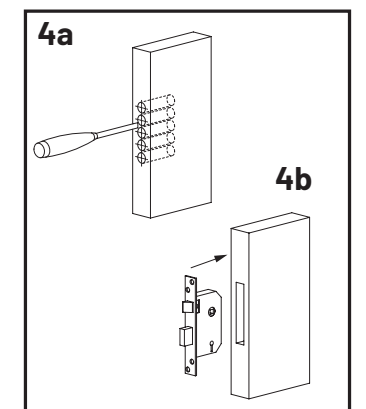
1
Cut out templates. Mark centreline onto door and frame. At required height mark a horizontal line on door and frame.



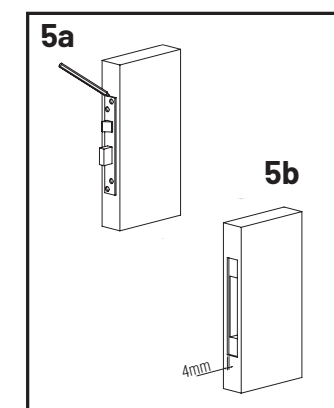
2
Using the centreline guide and height guide tape templates to door. Mark the centres of all holes with a bradawl then remove template.



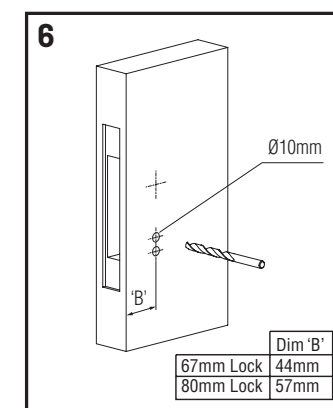
3
Using a bradawl mark all centres (+) on template. Remove template from door.



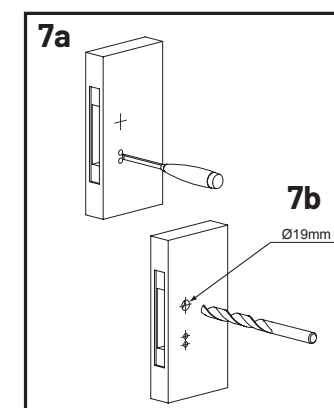
4a
4b
Chisel out the remaining timber between the drill holes.



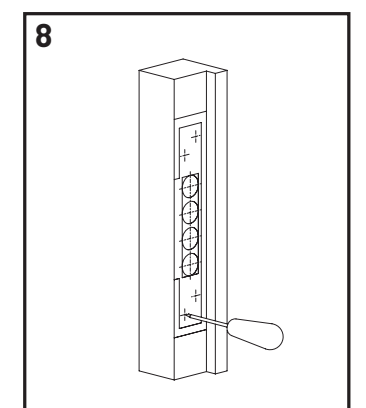
5a
5b
Chisel out the remaining timber between the drill holes.



6
Chisel out the remaining timber between the drill holes.

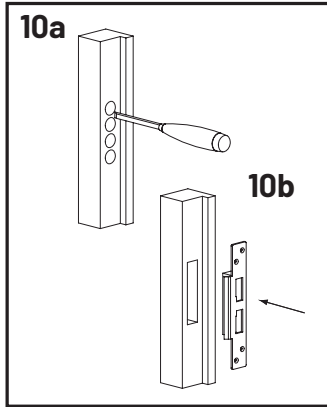
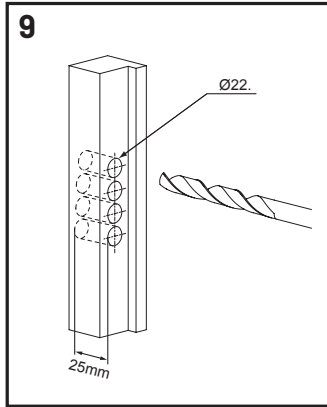


7a
7b
Chisel out the remaining timber between the drill holes.

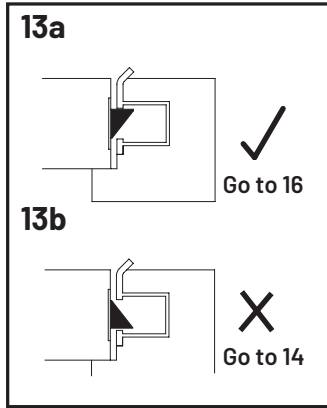
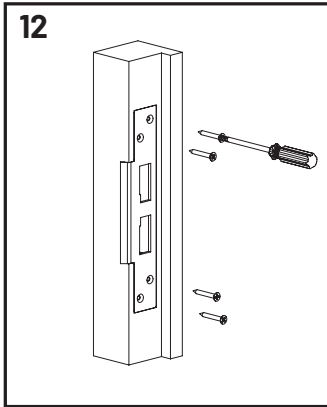
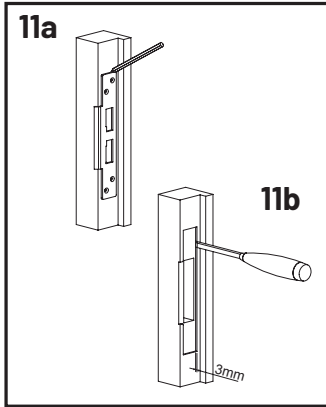


8
Secure template to frame with tape. Using a bradawl mark all centres (+). Then remove template.

FITTING TEMPLATES



Chisel out the remaining timber between the drill holes.



Reverse latch if necessary.

