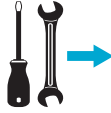




www.abloy.com/dop

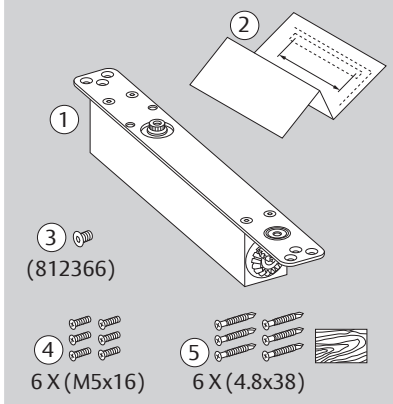


DoP

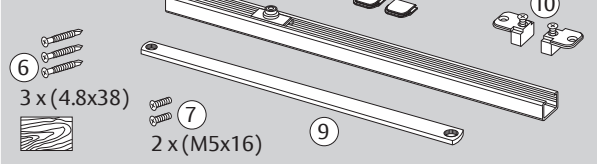


www.abloy.com/dop

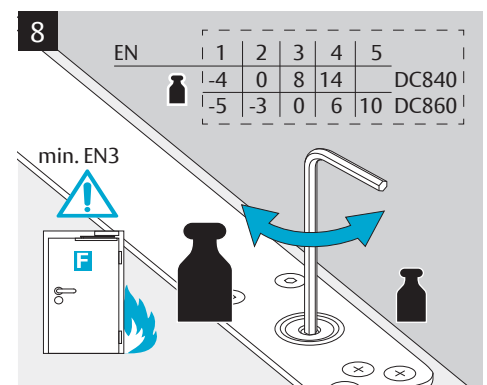
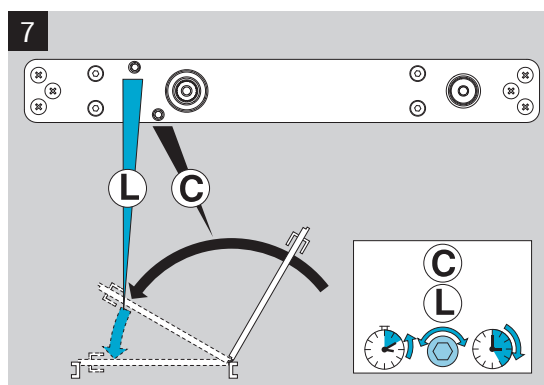
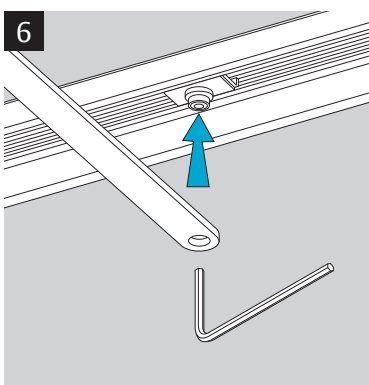
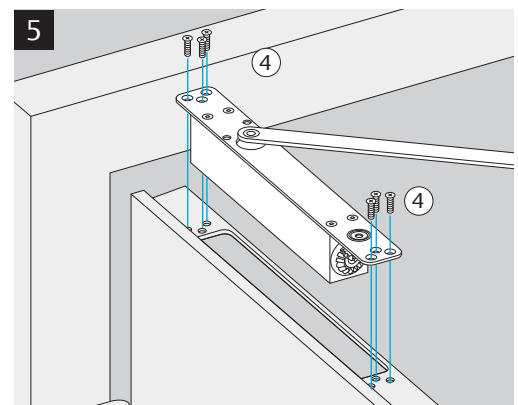
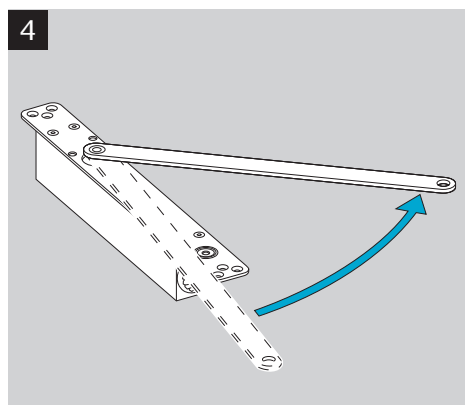
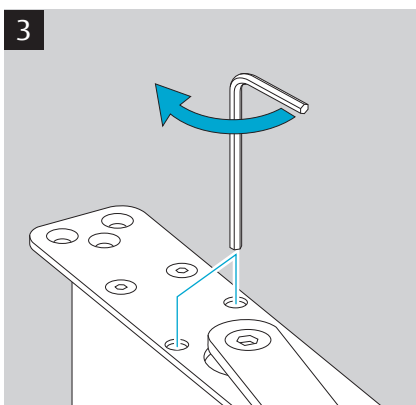
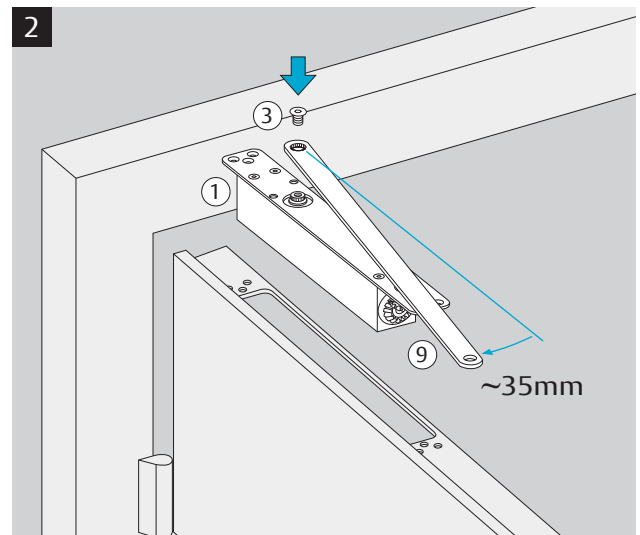
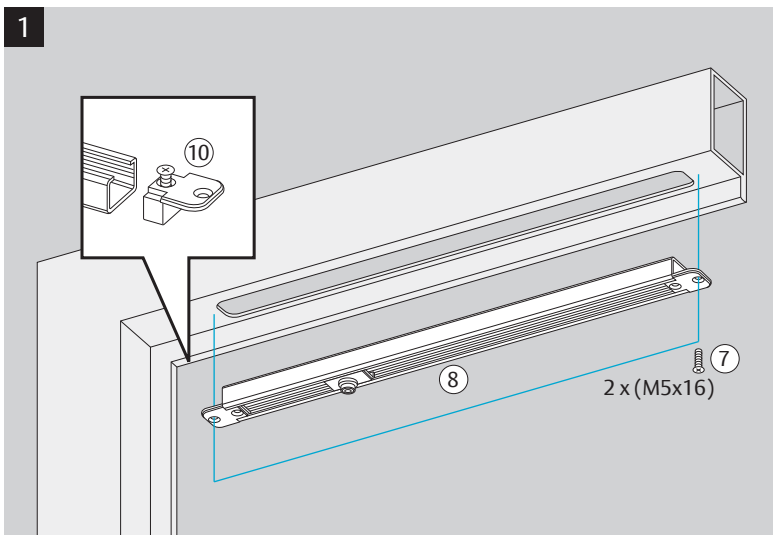
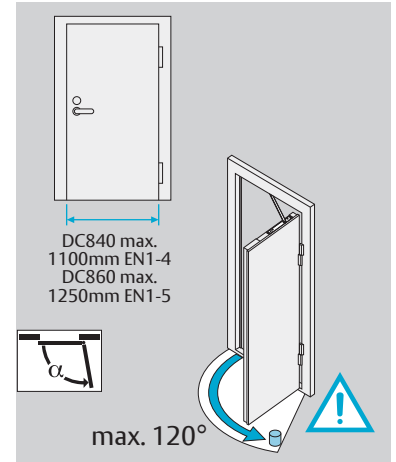
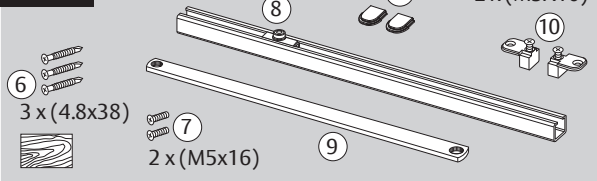
DC860/ DC840

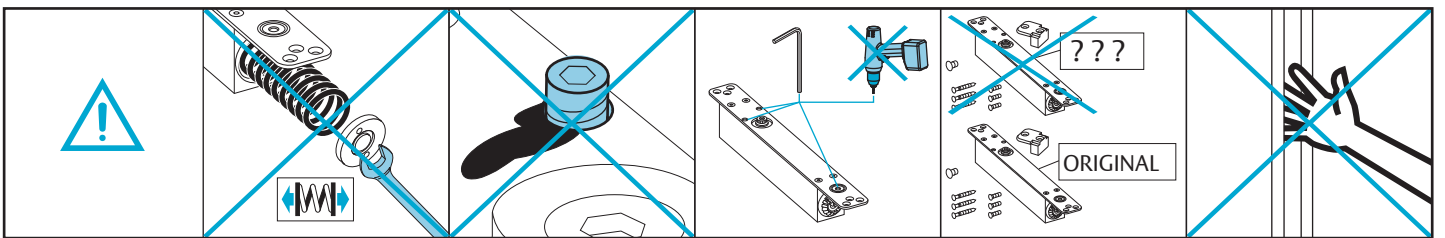
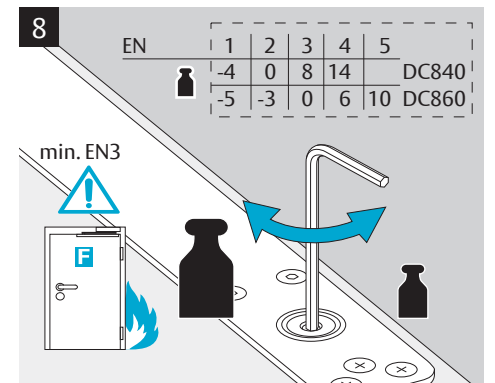
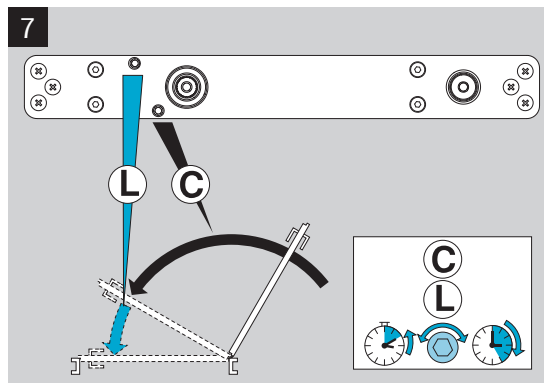
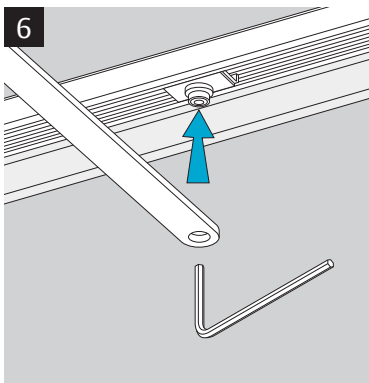
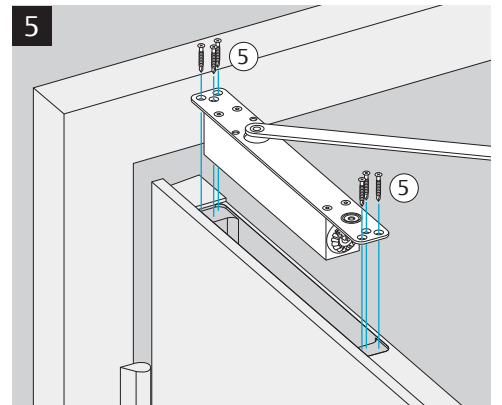
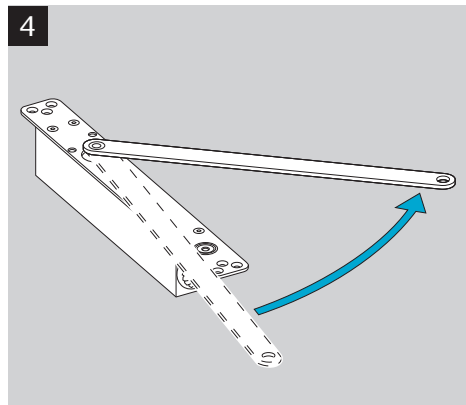
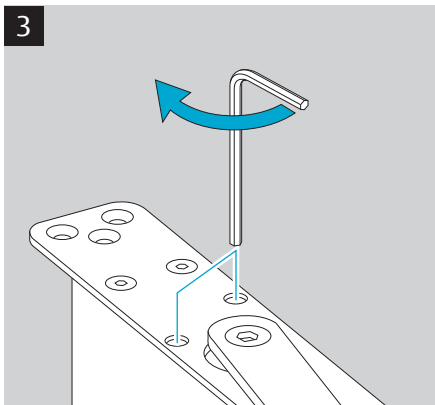
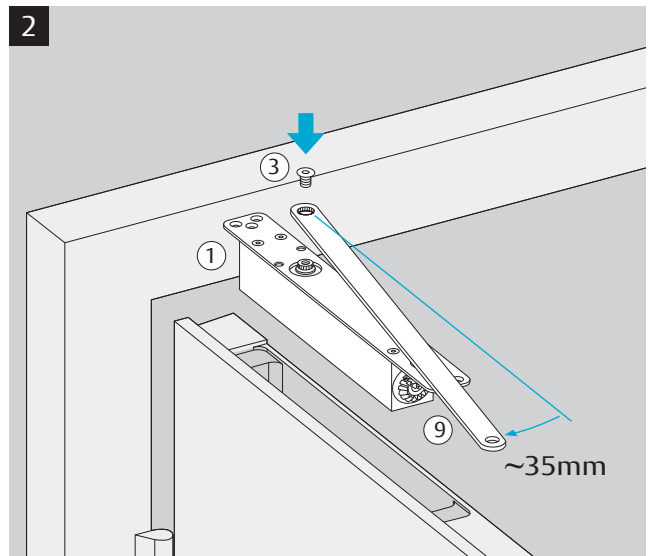
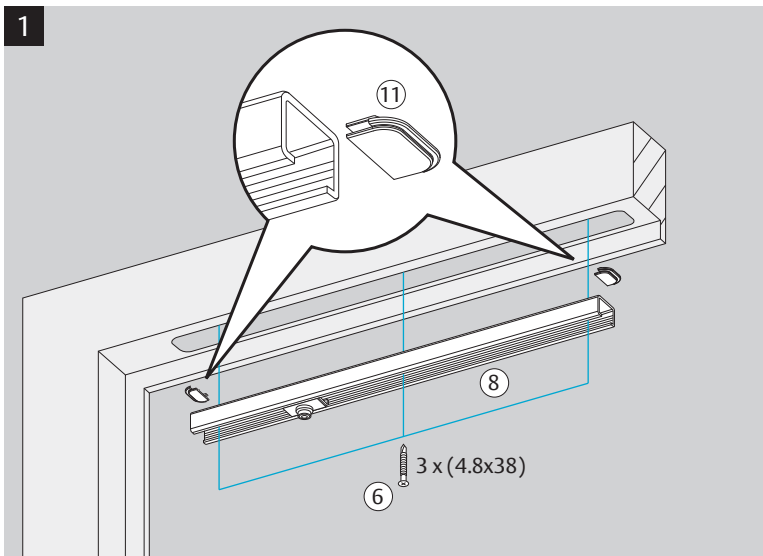


G893



G892





DC840 + G892(G893)

CE	Abloy Oy, PO Box 108 80101 Joensuu Finland			11			
	DC840				EN 1154:1996/A1:2002 0432-CPD-0047	3	8
Dangerous substances: None							

DC860 + G892(G893)

CE	Abloy Oy, PO Box 108 80101 Joensuu Finland			09			
	DC860				EN 1154:1996/A1:2002 0432-CPD-0047	3	8
Dangerous substances: None							

ASSA ABLOY

Abloy Oy
P.O.Box 108
80101 Joensuu
FINLAND
Tel.: +358-20 599 2501
Fax: +358-20 599 2209
www.assaabloy.com
www.abloy.com/dop

9313773 13.2.2018